



HERZOG[®]
Braiding machines

CLEVER SOLUTIONS SINCE 1861

BRAIDING MACHINES KBB 100 / KBB 140 SERIES

to overbraid wire harnesses



- ▶ User-friendly
- ▶ Various carrier types available
- ▶ Robust construction
- ▶ High output / low maintenance
- ▶ Reliable in continuous operation

August Herzog USA
109A Midsouth Drive
USA West End, NC 27376
Tel: +1 910 295 9763
Fax: +1 910 295 9764
e-mail: herzogusa@ac.net

August Herzog Maschinenfabrik GmbH & Co. KG
Postfach 20 01 52 · D-26045 Oldenburg
Am Alexanderhaus 160 · D-26127 Oldenburg
Telefon: +49 441/30 08-0 · Telefax: +49 441/30 08-100
<http://www.hertzog-online.com>
e-mail: info@hertzog-online.com

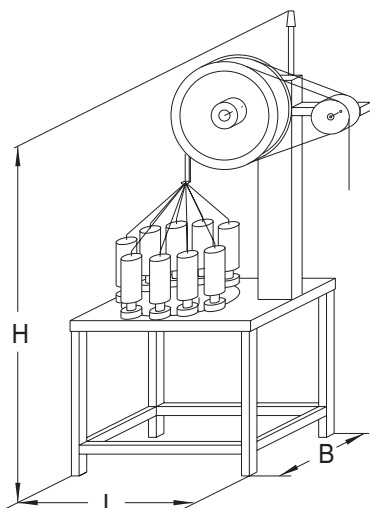
► TECHNICAL DATA



HERZOG®

Braiding machines

CLEVER SOLUTIONS SINCE 1861



► Machine type

	KBB 1/16-100	KBB 1/24-100	KBB 1/32-100	KBB 1/48-100	KBB 1/16-140	KBB 1/24-140	KBB 1/32-140
Number of carriers	16	24	32	48	16	24	32
Pitch size in mm	100	100	100	100	140	140	140
Length in mm (L)	656	890	1075	1450	920	1120	1460
Width in mm (B)	530	860	1040	1050	700	870	1070
Height in mm (H)	1500	1815	1800	2150	1960	2020	2200
Motor power in kw	0,25	0,37	0,55	2 x 0,37	0,37	0,75	1,1
Speed (horngear r.p.m.)	220	220	220	220	175	175	175
Center tube, diameter in mm	90	200	280	510	200	280	400
Carrier type (suitable for carton tubes or bobbins)	IFDA 100	IFDA 100	IFDA 100	IFDA 100	ADFDH 132 or ADFDr 140 or ADFDH 140	ADFDH 132 or ADFDr 140 or ADFDH 140	ADFDH 132 or ADFDr 140 or ADFDH 140
Bobbin size in mm	55 x 130	55 x 130	55 x 130	55 x 130	64 x 48 or 60 x 110 or 65 x 36	64 x 48 or 60 x 110 or 65 x 36	64 x 48 or 60 x 110 or 65 x 36
Bobbin volume in ccm	265	265	265	265	130 or 257 or 94	130 or 257 or 94	130 or 257 or 94
Take-off disc, diameter in mm	300	-	-	425	425	425	425
Take-off disc with rods, diameter in mm	-	425	425	425	-	-	-

► Options

Carrier type for textile material	IFDA 100 L	IFDA 100 L	IFDA 100 L	IFDA 100 L	AFD 140 L	AFD 140 L	AFD 140 L
Bobbin size in mm	55 x 170	55 x 170	55 x 170	55 x 170	78 x 280	78 x 280	78 x 280
Bobbin volume in mm	346	346	346	346	1211	1211	1211
Carrier protection	●	●	●	●	●	●	●
Armrest	●	●	●	●	●	●	●
Backwards operation	●	●	●	●	●	●	●
Service-hours counter	○	○	○	○	○	○	○
Guiding tubes/bored horn gear pillars	○	○	○	○	○	○	○
Hotcutting device	○	○	○	○	○	○	○
Lighting	●	●	●	●	●	●	●
Anti-noise protection	○	○	○	○	○	○	○

● Standard ○ Option Subject to technical changes due to further development.