



HERZOG[®]
Braiding machines

CLEVER SOLUTIONS SINCE 1861

WIRE BRAIDING MACHINES KBD 140 SERIES

for the production of e.g. earth cable or high-pressure tubes



- ▶ Suitable to work steel-, aluminium- and copper-wire as well as textile yarns
- ▶ The optimum carrier for any kind of application
- ▶ Reliable in continuous operation
- ▶ High output/low maintenance

August Herzog USA
109A Midsouth Drive
USA West End, NC 27376
Tel: +1 910 295 9763
Fax: +1 910 295 9764
e-mail: herzogusa@ac.net

August Herzog Maschinenfabrik GmbH & Co. KG
Postfach 20 01 52 · D-26045 Oldenburg
Am Alexanderhaus 160 · D-26127 Oldenburg
Telefon: +49 441/30 08-0 · Telefax: +49 441/30 08-100
<http://www.herzog-online.com>
e-mail: info@herzog-online.com

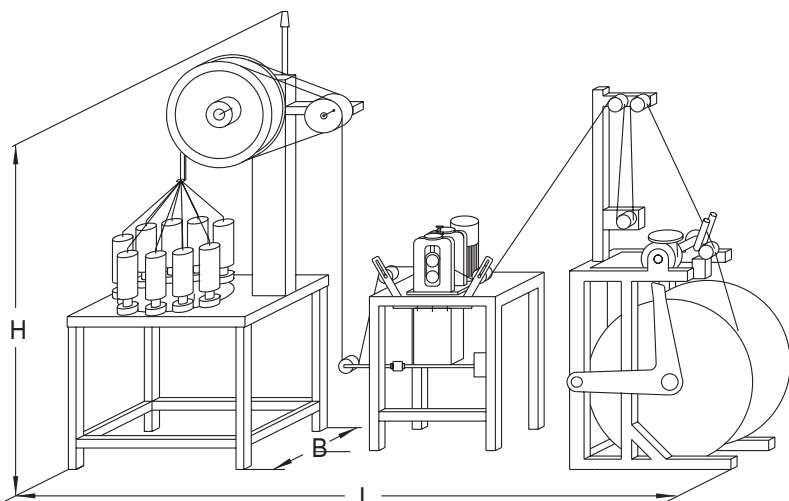
► TECHNICAL DATA



HERZOG®

Braiding machines

CLEVER SOLUTIONS SINCE 1861



► Maschine type

	KBD 1/12-140	KBD 1/16-140	KBD 1/24-140	KBD 1/32-140	KBD 1/36-140	KBD 1/48-140
Number of carriers	12	16	24	32	36	48
Pitch size in mm	140	140	140	140	140	140
Length in mm (L)	1350	1350	1530	1850	1900	2200
Width in mm (B)	770	770	860	1080	1125	1400
Height in mm (H)	1985	1985	2420	2610	2650	2700
Weight in kg	450	480	620	710	850	1160
Motor power in kw		0,55	0,75	1,1	1,1	1,5
Speed (horngear r.p.m.)	175	175	175	175	175	175
Center tube, diameter in mm	27	27	27	400	440	740
Carrier type for wire	AFDR 140	AFDR 140	AFDR 140	AFDR 140	AFDR 140	AFDR 140
Bobbin size in mm	68 x 150	68 x 150	68 x 150	68 x 150	68 x 150	68 x 150
Bobbin volume in ccm	471	471	471	471	471	471
Take-off disc, diameter in mm	500 x 110	700 x 110	700 x 110	700 x 110	700 x 110	700 x 110

► Options

	KBD 1/12-140	KBD 1/16-140	KBD 1/24-140	KBD 1/32-140	KBD 1/36-140	KBD 1/48-140
Carrier for textile yarns	AFD 140	AFD 140	AFD 140	AFD 140	AFD 140	AFD 140
Bobbin size in mm	78 x 280	78 x 280	78 x 280	78 x 280	78 x 280	78 x 280
Bobbin volume in ccm	1211	1211	1211	1211	1211	1211
Multi-roller take-off	<input type="radio"/>	<input type="radio"/>	<input type="radio"/>	<input type="radio"/>	<input type="radio"/>	<input type="radio"/>
Caterpillar take-off	<input type="radio"/>	<input type="radio"/>	<input type="radio"/>	<input type="radio"/>	<input type="radio"/>	<input type="radio"/>
Mechanical lay length control	<input type="radio"/>	<input type="radio"/>	<input type="radio"/>	<input type="radio"/>	<input type="radio"/>	<input type="radio"/>
Electronic lay length control	<input type="radio"/>	<input type="radio"/>	<input type="radio"/>	<input type="radio"/>	<input type="radio"/>	<input type="radio"/>
Empty bobbin control	<input checked="" type="radio"/>	<input checked="" type="radio"/>	<input checked="" type="radio"/>	<input checked="" type="radio"/>	<input checked="" type="radio"/>	<input checked="" type="radio"/>
Braiding die	<input checked="" type="radio"/>	<input checked="" type="radio"/>	<input checked="" type="radio"/>	<input checked="" type="radio"/>	<input checked="" type="radio"/>	<input checked="" type="radio"/>
Electrical height adjustment of the braiding die	<input type="radio"/>	<input type="radio"/>	<input type="radio"/>	<input type="radio"/>	<input type="radio"/>	<input type="radio"/>
Braid point control	<input checked="" type="radio"/>	<input checked="" type="radio"/>	<input checked="" type="radio"/>	<input checked="" type="radio"/>	<input checked="" type="radio"/>	<input checked="" type="radio"/>
Metercounter/timer meter	<input type="radio"/>	<input type="radio"/>	<input type="radio"/>	<input type="radio"/>	<input type="radio"/>	<input type="radio"/>
Take-up onto drums	<input type="radio"/>	<input type="radio"/>	<input type="radio"/>	<input type="radio"/>	<input type="radio"/>	<input type="radio"/>
- with UHING device	<input type="radio"/>	<input type="radio"/>	<input type="radio"/>	<input type="radio"/>	<input type="radio"/>	<input type="radio"/>
Carrier protection	<input checked="" type="radio"/>	<input checked="" type="radio"/>	<input checked="" type="radio"/>	<input checked="" type="radio"/>	<input checked="" type="radio"/>	<input checked="" type="radio"/>
Noise protection housing	<input type="radio"/>	<input type="radio"/>	<input type="radio"/>	<input type="radio"/>	<input type="radio"/>	<input type="radio"/>
Central lubrication	<input type="radio"/>	<input type="radio"/>	<input type="radio"/>	<input type="radio"/>	<input type="radio"/>	<input type="radio"/>
Rolling unit	<input type="radio"/>	<input type="radio"/>	<input type="radio"/>	<input type="radio"/>	<input type="radio"/>	<input type="radio"/>

● Standard ○ Option Subject to technical changes due to further development.