



HERZOG[®]
Braiding machines

CLEVER SOLUTIONS SINCE 1861

WIRE BRAIDING MACHINES **KBDh 140** SERIES IN HORIZONTAL CONSTRUCTION

for the production of e.g. earth cable or high-pressure tubes



- ▶ Suitable to work steel-, aluminium- and copper-wire as well as textile yarns
- ▶ The optimum carrier for any kind of application
- ▶ Reliable in continuous operation
- ▶ High output/low maintenance

August Herzog USA
109A Midsouth Drive
USA West End, NC 27376
Tel: +1 910 295 9763
Fax: +1 910 295 9764
e-mail: herzogusa@ac.net

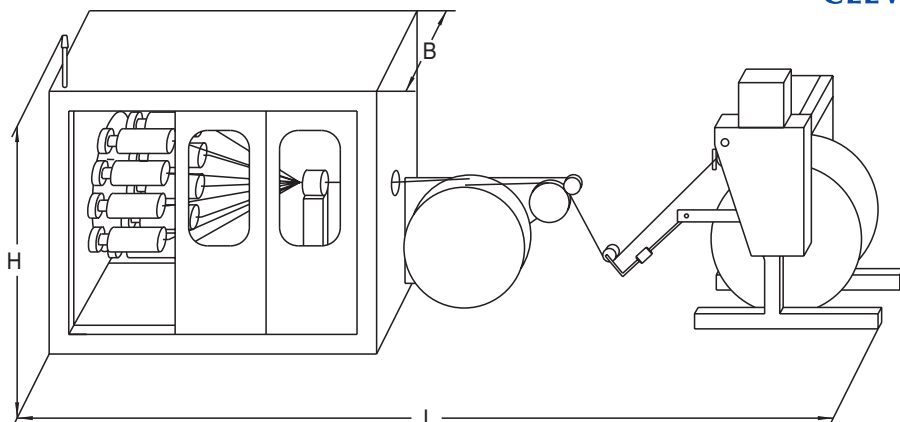
August Herzog Maschinenfabrik GmbH & Co. KG
Postfach 20 01 52 · D-26045 Oldenburg
Am Alexanderhaus 160 · D-26127 Oldenburg
Telefon: +49 441/30 08-0 · Telefax: +49 441/30 08-100
<http://www.herzog-online.com>
e-mail: info@herzog-online.com

► TECHNICAL DATA



HERZOG®
Braiding machines

CLEVER SOLUTIONS SINCE 1861



► Machine type

	KBDh 1/12-140	KBDh 1/16-140	KBDh 1/24-140	KBDh 1/32-140	KBDh 1/36-140	KBDh 1/48-140
Number of carriers	12	16	24	32	36	48
Pitch size in mm	140	140	140	140	140	140
Length in mm (L)	2400	2400	2600	3000	3100	3300
Width in mm (B)	900	900	1000	1200	1350	1500
Height in mm (H)	2100	2100	2100	2100	2200	2200
Motor power in kw	0,55	0,55	0,75	1,1	1,1	1,5
Speed (horngear r.p.m.)	175	175	175	175	175	175
Center tube, diameter in mm	27	27	27	200	200	200
Carrier type for wire	AFDR 140	AFDR 140	AFDR 140	AFDR 140	AFDR 140	AFDR 140
Bobbin size in mm	68 x 150	68 x 150	68 x 150	68 x 150	68 x 150	68 x 150
Bobbin volume in ccm	471	471	471	471	471	471
Take-off disc, diameter in mm	500 x 110	700 x 110	700 x 110	700 x 110	700 x 110	700 x 110

► Options

	KBDh 1/12-140	KBDh 1/16-140	KBDh 1/24-140	KBDh 1/32-140	KBDh 1/36-140	KBDh 1/48-140
Carrier type for textile yarns	AFD 140	AFD 140	AFD 140	AFD 140	AFD 140	AFD 140
Bobbin size in mm	78 x 280	78 x 280	78 x 280	78 x 280	78 x 280	78 x 280
Bobbin volume in ccm	1211	1211	1211	1211	1211	1211
Multi-roller take-off	<input type="radio"/>	<input type="radio"/>	<input type="radio"/>	<input type="radio"/>	<input type="radio"/>	<input type="radio"/>
Caterpillar take-off	<input type="radio"/>	<input type="radio"/>	<input type="radio"/>	<input type="radio"/>	<input type="radio"/>	<input type="radio"/>
Mechanical lay length control	<input type="radio"/>	<input type="radio"/>	<input type="radio"/>	<input type="radio"/>	<input type="radio"/>	<input type="radio"/>
Electronic lay length control	<input type="radio"/>	<input type="radio"/>	<input type="radio"/>	<input type="radio"/>	<input type="radio"/>	<input type="radio"/>
Empty bobbin control	<input checked="" type="radio"/>	<input checked="" type="radio"/>	<input checked="" type="radio"/>	<input checked="" type="radio"/>	<input checked="" type="radio"/>	<input checked="" type="radio"/>
Movable braiding die	<input type="radio"/>	<input type="radio"/>	<input type="radio"/>	<input type="radio"/>	<input type="radio"/>	<input type="radio"/>
Braid point control	<input checked="" type="radio"/>	<input checked="" type="radio"/>	<input checked="" type="radio"/>	<input checked="" type="radio"/>	<input checked="" type="radio"/>	<input checked="" type="radio"/>
Metercounter/timer meter	<input type="radio"/>	<input type="radio"/>	<input type="radio"/>	<input type="radio"/>	<input type="radio"/>	<input type="radio"/>
Take-up onto drums	<input type="radio"/>	<input type="radio"/>	<input type="radio"/>	<input type="radio"/>	<input type="radio"/>	<input type="radio"/>
- with UHING device	<input checked="" type="radio"/>	<input checked="" type="radio"/>	<input checked="" type="radio"/>	<input checked="" type="radio"/>	<input checked="" type="radio"/>	<input checked="" type="radio"/>
Housing with sliding doors	<input checked="" type="radio"/>	<input checked="" type="radio"/>	<input checked="" type="radio"/>	<input checked="" type="radio"/>	<input checked="" type="radio"/>	<input checked="" type="radio"/>
Central lubrication	<input checked="" type="radio"/>	<input checked="" type="radio"/>	<input checked="" type="radio"/>	<input checked="" type="radio"/>	<input checked="" type="radio"/>	<input checked="" type="radio"/>
Infinitely variable speed control	<input checked="" type="radio"/>	<input checked="" type="radio"/>	<input checked="" type="radio"/>	<input checked="" type="radio"/>	<input checked="" type="radio"/>	<input checked="" type="radio"/>

Also available as tandem arrangement.

● Standard ○ Option Subject to technical changes due to further development.