



HERZOG[®]
Braiding machines

CLEVER SOLUTIONS SINCE 1861

FLAT BRAIDING MACHINES LZ 80 AND LZ 100 SERIES

recommended for braid widths from 2 – 32 mm



- ▶ longevity thanks to an oil-bath construction
- ▶ various carrier types for different materials
- ▶ high output
- ▶ reliable in continuous operation
- ▶ low maintenance required

August Herzog USA
109A Midsouth Drive
USA West End, NC 27376
Tel: +1 910 295 9763
Fax: +1 910 295 9764
e-mail: herzogusa@ac.net

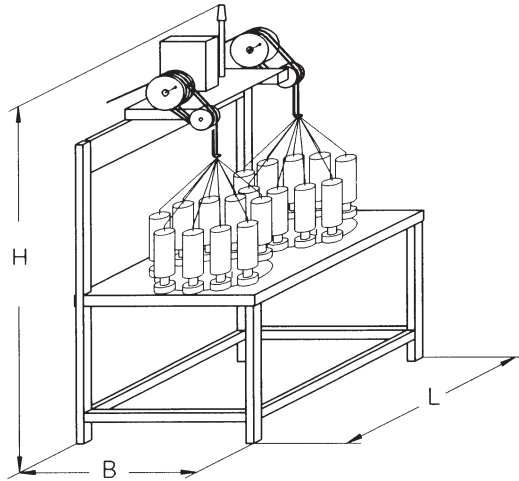
August Herzog Maschinenfabrik GmbH & Co. KG
Postfach 20 01 52 · D-26045 Oldenburg
Am Alexanderhaus 160 · D-26127 Oldenburg
Telefon: +49 441/30 08-0 · Telefax: +49 441/30 08-100
<http://www.herzog-online.com>
e-mail: info@herzog-online.com

► TECHNICAL DATA



HERZOG®
Braiding machines

CLEVER SOLUTIONS SINCE 1861



► Type of machine	LZ 4/9-80	LZ 2/13-80	LZ 2/17-80	LZ 2/21-80	LZ 2/25-80	LZ 2/29-80	LZ 2/33-80
Number of heads	4	2	2	2	2	2	2
Number of carriers per head*	9	13	17	21	25	29	33
Pitch size in mm	80	80	80	80	80	80	80
Length in mm (L)	905	735	905	1075	1155	1375	1375
Width in mm (B)	465	440	465	535	600	685	685
Height in mm (H) (with standard equipment)	1600	1600	1600	1600	1600	1600	1600
Weight in kgs	230	180	200	250	280	320	350
Motor power in kw	0,25	0,25	0,25	0,37	0,37	0,55	0,55
Speed (horngear rpm)	300	300	300	300	300	300	300
Carrier type	IFDA-Z 80	IFDA-Z 80	IFDA-Z 80	IFDA-Z 80	IFDA-Z 80	IFDA-Z 80	IFDA-Z 80
Bobbin size in mm	42 x 130	42 x 130	42 x 130	42 x 130	42 x 130	42 x 130	42 x 130
Bobbin volume in ccm	148	148	148	148	148	148	148
3-roller take-off	●	●	●	●	●	●	●

► Options							
Take-off for braiding into can	<input type="radio"/>	<input type="radio"/>	<input type="radio"/>	<input type="radio"/>	<input type="radio"/>	<input type="radio"/>	<input type="radio"/>
Feeding attachment for warp threads	<input type="radio"/>	<input type="radio"/>	<input type="radio"/>	<input type="radio"/>	<input type="radio"/>	<input type="radio"/>	<input type="radio"/>
Warp thread control	<input type="radio"/>	<input type="radio"/>	<input type="radio"/>	<input type="radio"/>	<input type="radio"/>	<input type="radio"/>	<input type="radio"/>
Metercounter/time meter	<input type="radio"/>	<input type="radio"/>	<input type="radio"/>	<input type="radio"/>	<input type="radio"/>	<input type="radio"/>	<input type="radio"/>
Open guides at the carrier	<input type="radio"/>	<input type="radio"/>	<input type="radio"/>	<input type="radio"/>	<input type="radio"/>	<input type="radio"/>	<input type="radio"/>
Accessories for the production of e.g. bow laces	<input type="radio"/>	<input type="radio"/>	<input type="radio"/>	<input type="radio"/>	<input type="radio"/>	<input type="radio"/>	<input type="radio"/>
Rubber feeding attachment for elastic laces	<input type="radio"/>	<input type="radio"/>	<input type="radio"/>	<input type="radio"/>	<input type="radio"/>	<input type="radio"/>	<input type="radio"/>
Conversion kit from flat to round	<input type="radio"/>	<input type="radio"/>	<input type="radio"/>	<input type="radio"/>	<input type="radio"/>	<input type="radio"/>	<input type="radio"/>

* Other numbers of carriers available upon request.

All machine types are available with pitch size 100 mm.

● Standard

○ Option

Subject to technical changes due to further development.