

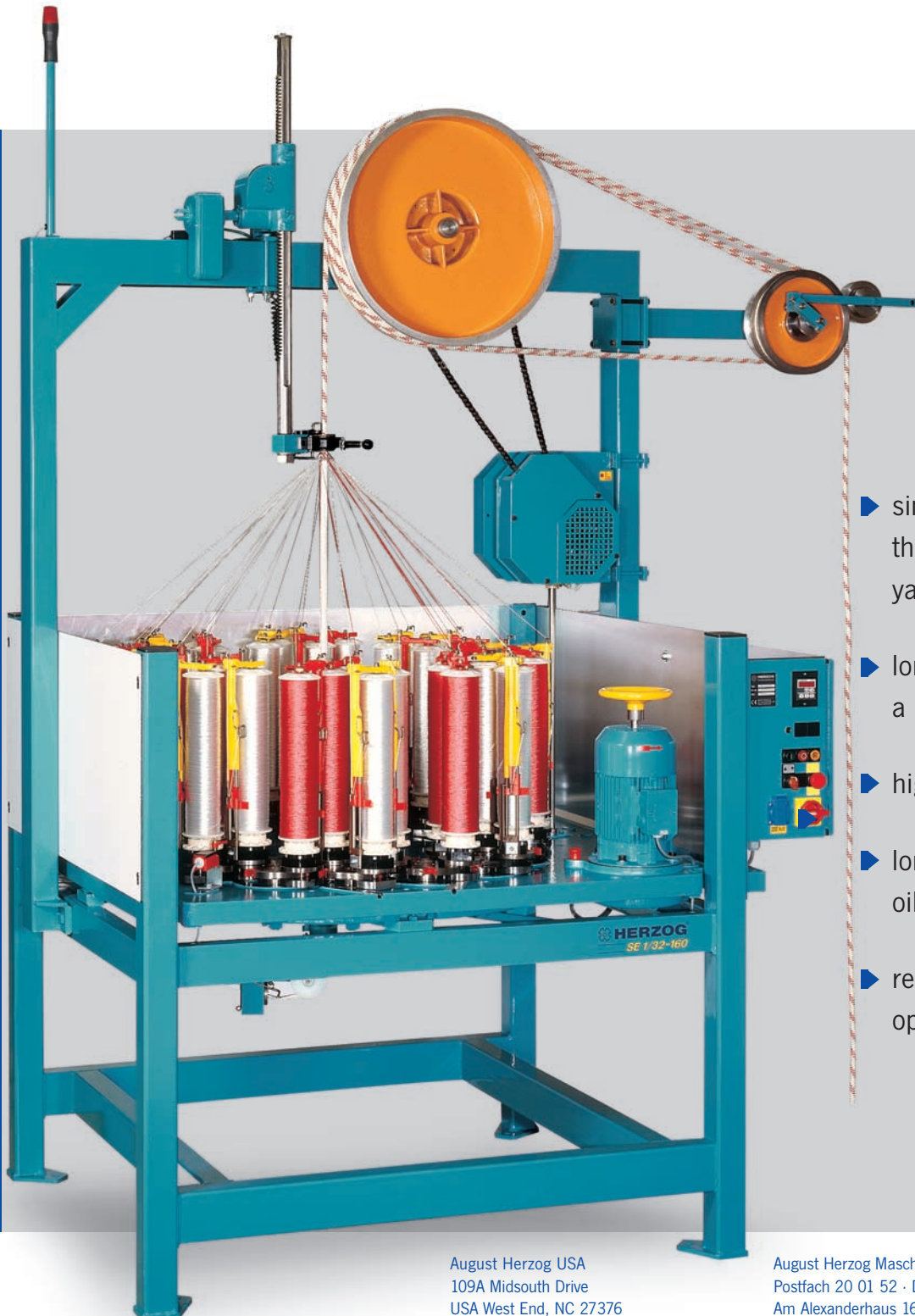


**HERZOG**<sup>®</sup>  
Braiding machines

CLEVER SOLUTIONS SINCE 1861

# ROPE BRAIDING MACHINES SENG 160 SERIES

recommended for braid diameters from 3– 30 mm



- ▶ simple manipulation thanks to open yarn guides
- ▶ long running times due to a big bobbin volume
- ▶ high output
- ▶ longevity thanks to an oil-bath construction
- ▶ reliable in continuous operation

August Herzog USA  
109A Midsouth Drive  
USA West End, NC 27376  
Tel: +1 910 295 9763  
Fax: +1 910 295 9764  
e-mail: herzogusa@ac.net

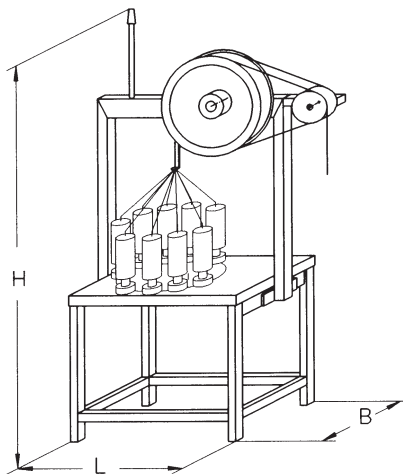
August Herzog Maschinenfabrik GmbH & Co. KG  
Postfach 20 01 52 · D-26045 Oldenburg  
Am Alexanderhaus 160 · D-26127 Oldenburg  
Telefon: +49 441/30 08-0 · Telefax: +49 441/30 08-100  
<http://www.herzog-online.com>  
e-mail: [info@herzog-online.com](mailto:info@herzog-online.com)

## ► TECHNICAL DATA



**HERZOG**<sup>®</sup>  
Braiding machines

CLEVER SOLUTIONS SINCE 1861



► Machine type	SENG 1/8-160	SENG 1/12-160	SENG 1/16-160	SENG 1/24-160	SENG 1/32-160
Number of heads	1	1	1	1	1
Carriers per head	8	12	16	24	32
Pitch size in mm	180	160	160	160	160
Length in mm (L)	900	900	900	1500	1980
Width in mm (B)	730	730	730	955	1170
Height in mm (H)	2150	2150	2150	2250	2450
Weight in kgs	400	400	400	500	640
Motor power in kw	0,55	0,55	0,75	1,1	1,5
Speed (horngear rpm)	180	200	200	200	200
Speed (horngear rpm) for <b>half occupation</b>	-	133	133	133	133
Central tube in mm	15	50	150	320	500
Carrier type	AFD 160	AFD 160	AFD 160	AFD 160	AFD 160
Carrier type for <b>half occupation</b>	-	AFZ 224	AFZ 224	AFZ 224	AFZ 224
Bobbin size in mm	87 x 320	87 x 320	87 x 320	87 x 320	87 x 320
Bobbin size for <b>half occupation</b>	-	124 x 350	124 x 350	124 x 350	124 x 350
Bobbin volume in ccm	1732	1732	1732	1732	1732
Bobbin volume for <b>half occupation</b>	-	3890	3890	3890	3890
Take-off disc, diameter in mm	313	313	313	313	500

► Options					
Take-off for take-off into can	<input type="radio"/>	<input type="radio"/>	<input type="radio"/>	<input type="radio"/>	<input type="radio"/>
Guiding tubes / bored horn gear pillars	<input type="radio"/>	<input type="radio"/>	<input type="radio"/>	<input type="radio"/>	<input type="radio"/>
Core- and warp-thread control	<input type="radio"/>	<input type="radio"/>	<input type="radio"/>	<input type="radio"/>	<input type="radio"/>
Empty bobbin control	<input checked="" type="radio"/>	<input checked="" type="radio"/>	<input checked="" type="radio"/>	<input checked="" type="radio"/>	<input checked="" type="radio"/>
Mechanical lay length control	<input type="radio"/>	<input type="radio"/>	<input type="radio"/>	<input type="radio"/>	<input type="radio"/>
Electronical lay length control	<input type="radio"/>	<input type="radio"/>	<input type="radio"/>	<input type="radio"/>	<input type="radio"/>
Patented braiding die with electronic braid point control, dia. in mm	5 - 25	5 - 25	5 - 25	5 - 25	5 - 25
Electrical height adjustment of the braiding die	<input type="radio"/>	<input type="radio"/>	<input type="radio"/>	<input type="radio"/>	<input type="radio"/>
Metercounter/time meter	<input type="radio"/>	<input type="radio"/>	<input type="radio"/>	<input type="radio"/>	<input type="radio"/>
Take-up onto drums	<input type="radio"/>	<input type="radio"/>	<input type="radio"/>	<input type="radio"/>	<input type="radio"/>
- with UHING device	<input type="radio"/>	<input type="radio"/>	<input type="radio"/>	<input type="radio"/>	<input type="radio"/>
Drum size in mm	500 x 404	500 x 404	500 x 404	500 x 404	500 x 404
Open guides at the carrier	<input checked="" type="radio"/>	<input checked="" type="radio"/>	<input checked="" type="radio"/>	<input checked="" type="radio"/>	<input checked="" type="radio"/>
Carrier protection	<input type="radio"/>	<input type="radio"/>	<input type="radio"/>	<input type="radio"/>	<input type="radio"/>
Noise enclosure	<input type="radio"/>	<input type="radio"/>	<input type="radio"/>	<input type="radio"/>	<input type="radio"/>

● Standard    ○ Option    Subject to technical changes due to further development.