



HERZOG[®]
Braiding machines

CLEVER SOLUTIONS SINCE 1861

ROPE BRAIDING MACHINES SERIES SE 720 – SE 2000

recommended for the production of roundbraids from 20 – 240 mm



- ▶ low maintenance required
- ▶ robust construction for continuous operation
- ▶ perfected carrier types for high-tech fibres
- ▶ well arranged operating elements

August Herzog USA
109A Midsouth Drive
USA West End, NC 27376
Tel: +1 910 295 9763
Fax: +1 910 295 9764
e-mail: herzogusa@ac.net

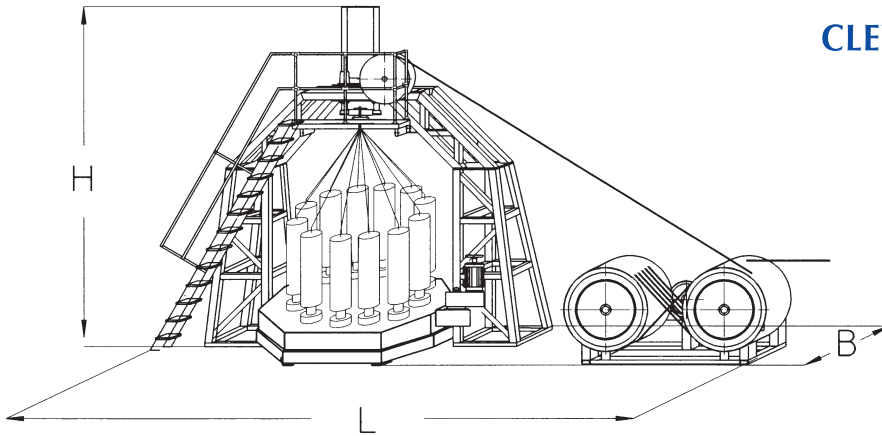
August Herzog Maschinenfabrik GmbH & Co. KG
Postfach 20 01 52 · D-26045 Oldenburg
Am Alexanderhaus 160 · D-26127 Oldenburg
Telefon: +49 441/30 08-0 · Telefax: +49 441/30 08-100
<http://www.herzog-online.com>
e-mail: info@herzog-online.com

► TECHNICAL DATA



HERZOG®
Braiding machines

CLEVER SOLUTIONS SINCE 1861



► Machine type

	SE 1/12-720	SE 1/16-720*	SE 1/12-1088*	SE 1/12-1500	SE 1/12-2000
Number of carriers	12	16	12	12	12
Pitch size in mm	720	720	1088	1500	2000
Length in mm (L)	8445	9000	9800	11000	13000
Width in mm (B)	2830	3050	3900	5300	6800
Height in mm (H)	5400	5450	6000	7000	8000
Weight in kgs	12000	14500	22000	30000	42000
Motor power in kw	7,5	7,5	11	15	18,5
Speed (horngear rpm)	30	30	18	14	9
Central tube in mm	500	900	800	1000	1300
Carrier type	AFZ-SE 720	AFZ-SE 720	AFZ-SE 1088	AFZ-SE 1500	AFZ-SE 2000
Bobbin size in mm	390 x 800	390 x 800	560 x 900	760 x 900	950 x 1100
Bobbin volume in ccm	93.305	93.305	213.426	382.764	745.146
Take-off disc with 3 grooves, diameter in mm	1000	1000	1000	1200	1200

► Options

	AWH 2000	AWH 2000	AWH 2000	AWH 2600	AWH 2600
Separate take-off on take-up stand	AWH 2000	AWH 2000	AWH 2000	AWH 2600	AWH 2600
– onto hasp, size in mm	2000 x 1170	2000 x 1170	2000 x 1170	2600 x 1400	2600 x 1400
Empty bobbin control	●	●	●	●	●
Braiding die, max. ø in mm	130	130	130	180	240
Braid point control	●	●	●	●	●
Electrical height adjustment of the braiding die	●	●	●	●	●
Electronic lay length control	●	●	●	●	●
Metercounter/time meter	●	●	●	●	●
Reverse motion and soft start	●	●	●	●	●

● Standard

○ Option

*Also available with 16, 24 or 32 carriers.

Subject to technical changes due to further development.