



HERZOG[®]
Braiding machines

CLEVER SOLUTIONS SINCE 1861

SPIRAL BRAIDING MACHINE

SP SERIES, pitch sizes from 67,5 – 192,5 mm

recommended for spiral braids with 0.5 – 30 mm diameter
(depending on the machine type)



- ▶ high bobbin volume
- ▶ reliable in continuous operation
- ▶ high output
- ▶ low maintenance required
- ▶ simple to operate

August Herzog USA
109A Midsouth Drive
USA West End, NC 27376
Tel: +1 910 295 9763
Fax: +1 910 295 9764
e-mail: herzogusa@ac.net

August Herzog Maschinenfabrik GmbH & Co. KG
Postfach 20 01 52 · D-26045 Oldenburg
Am Alexanderhaus 160 · D-26127 Oldenburg
Telefon: +49 441/30 08-0 · Telefax: +49 441/30 08-100
<http://www.herzog-online.com>
e-mail: info@herzog-online.com

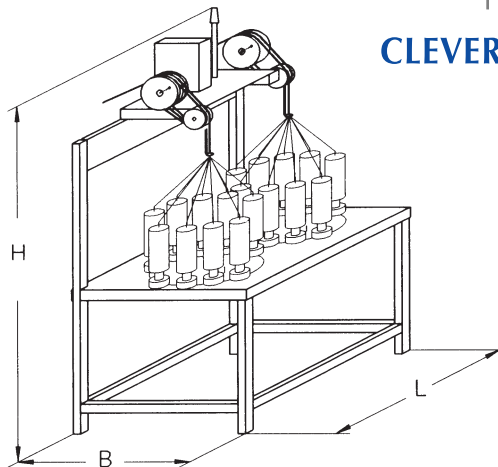
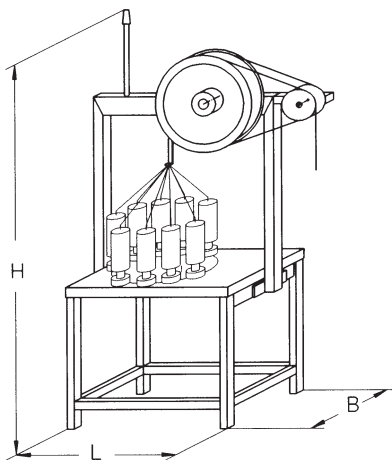
► TECHNICAL DATA



HERZOG®

Braiding machines

CLEVER SOLUTIONS SINCE 1861



► Type of machine

	SP 2/12-67,5	SP 2/1/12-90	SP 2/1/12-105	SP 1/12-125	SP 1/20-165	SP 1/20-192,5
Numbers of heads	2	2	2	1	1	1
Number of carriers per head*	12	12	12	12	20	20
Pitch size in mm	67,5	90	105	125	165	192,5
Length in mm (L)	1075	1222	1575	800	1250	1250
Width in mm (B)	535	550	680	950	1050	1000
Height in mm (H)	1600	1850	2000	2200	2300	2500
Weight in kgs	280	380	450	550	650	1350
Motor power in kW	0,37	2 x 0,37	2 x 0,37	0,55	0,75	1,1
Speed (horngear rpm)	260	235	225	180	135	120
Central tube in mm	8,5	35	35	35	35	28
Carrier type	IFDA 100	AFD 120	AFD 140	AFD 160	AFD 160	AFZ 224
Bobbin size in mm	55 x 130	63 x 200	78 x 280	87 x 320	87 x 320	115 x 300
Bobbin volume in ccm	265	547	1077	1732	1732	2827
Take-off disc, diameter in mm	88	160	160	160	160	700

► Options

Take-off for braiding into can	<input type="radio"/>	<input type="radio"/>	<input type="radio"/>	<input type="radio"/>	<input type="radio"/>	<input type="radio"/>
Metercounter/time meter	<input type="radio"/>	<input type="radio"/>	<input type="radio"/>	<input type="radio"/>	<input type="radio"/>	<input type="radio"/>
Electronic lay length control	-	<input type="radio"/>	<input type="radio"/>	<input type="radio"/>	<input type="radio"/>	<input type="radio"/>
Patented braiding die, max. diameter	12	12	12	25	25	32
Electronic braid point control	●	●	●	●	●	<input type="radio"/>
Take-off disc, diameter in mm	176	-	220	220	220	-
Empty bobbin control	<input type="radio"/>	<input type="radio"/>	<input type="radio"/>	<input type="radio"/>	<input type="radio"/>	<input type="radio"/>
Take-up onto drums	<input type="radio"/>	<input type="radio"/>	<input type="radio"/>	<input type="radio"/>	<input type="radio"/>	<input type="radio"/>
- with UHING device	-	●	●	●	●	●
Drum size in mm	300 x 100	370 x 200	370 x 200			760 x 550
Soft start	<input type="radio"/>	<input type="radio"/>	<input type="radio"/>	<input type="radio"/>	<input type="radio"/>	<input type="radio"/>

*Other numbers of carriers available upon request

● Standard ○ Option

Subject to technical changes due to further development.