

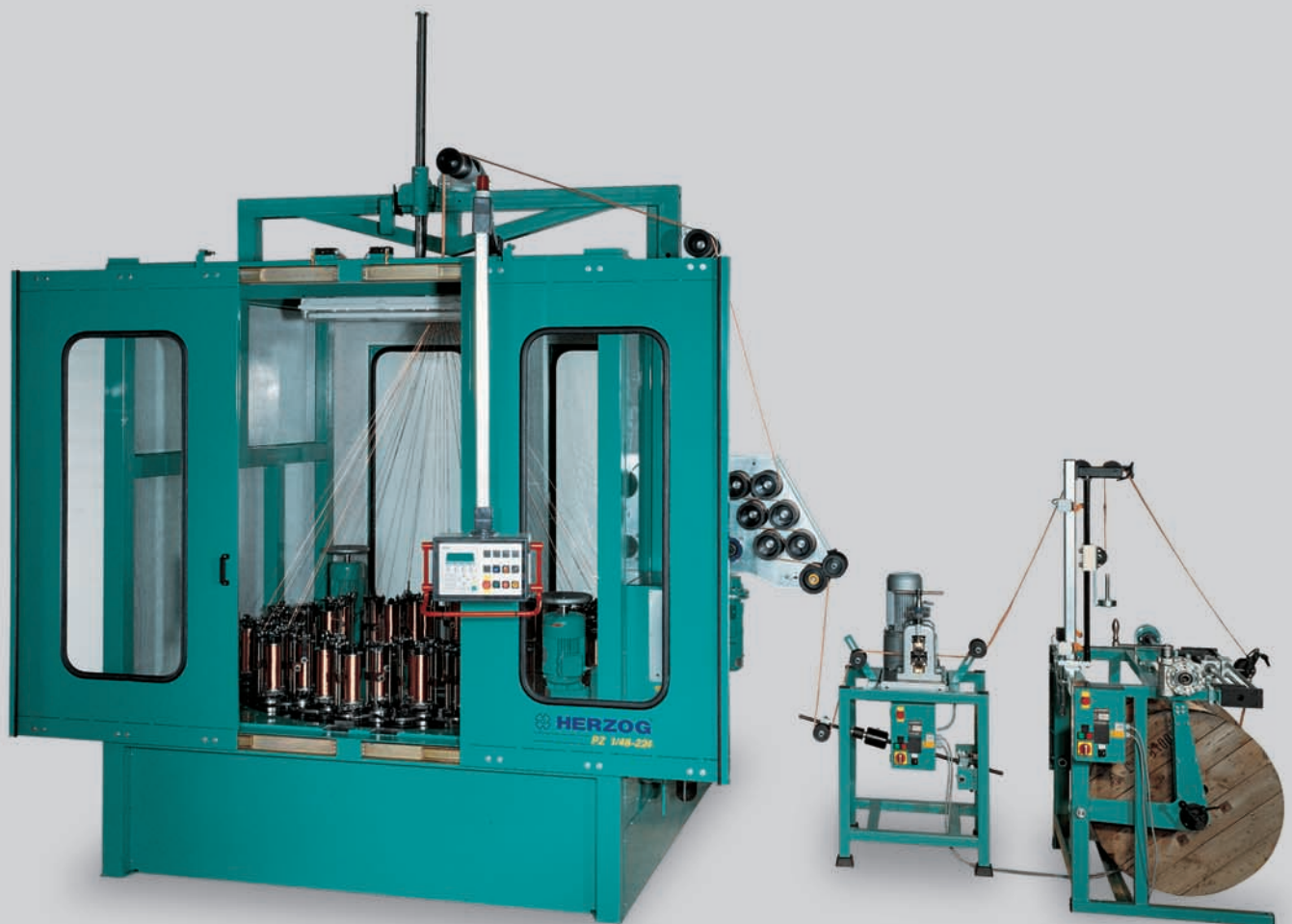


HERZOG[®]
Braiding machines

CLEVER SOLUTIONS SINCE 1861

WIRE BRAIDING MACHINES PZ 224 SERIES

for the production of e.g. heavy protection shells



- ▶ Suitable to work steel-, aluminium- and copper-wire as well as textile yarns
- ▶ The optimum carrier for any kind of application
- ▶ Reliable in continuous operation
- ▶ High output/low maintenance

August Herzog USA
109A Midsouth Drive
USA West End, NC 27376
Tel: +1 910 295 9763
Fax: +1 910 295 9764
e-mail: herzogusa@ac.net

August Herzog Maschinenfabrik GmbH & Co. KG
Postfach 20 01 52 · D-26045 Oldenburg
Am Alexanderhaus 160 · D-26127 Oldenburg
Telefon: +49 441/30 08-0 · Telefax: +49 441/30 08-100
<http://www.herzog-online.com>
e-mail: info@herzog-online.com

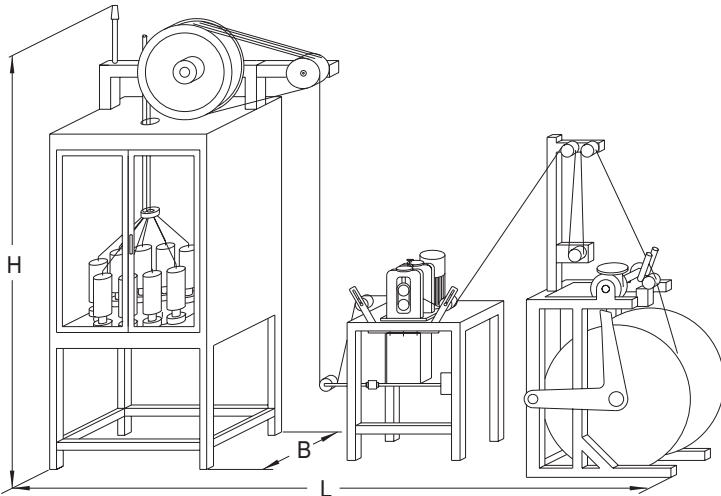
► TECHNICAL DATA



HERZOG®

Braiding machines

CLEVER SOLUTIONS SINCE 1861



► Machine type

	PZ 1/16-224	PZ 1/24-224	PZ 1/32-224	PZ 1/36-224	PZ 1/40-224	PZ 1/48-224
Number of carriers	16	24	32	36	40	48
Pitch size in mm	224	224	224	224	224	224
Length in mm (L)	1210	1450	1750	1900	2050	2300
Width in mm (B)	1000	1300	1600	1700	1900	2150
Height in mm (H)	2950	3350	3600	3700	3800	4450
Motor power in kw	1,1	1,5	2,2	2,2	3,0	3,0
Speed (horngear r.p.m.)	110	110	110	110	110	110
Center tube, diameter in mm	200	510	800	900	1000	1230
Carrier type for wire	AFD 224	AFD 224	AFD 224	AFD 224	AFD 224	AFD 224
Bobbin size in mm	105 x 200	105 x 200	105 x 200	105 x 200	105 x 200	105 x 200
Bobbin volume in ccm	1505	1505	1505	1505	1505	1505
Take-off disc, diameter in mm	700	1000	1200	1200	1200	1600

► Options

	PZ 1/16-224	PZ 1/24-224	PZ 1/32-224	PZ 1/36-224	PZ 1/40-224	PZ 1/48-224
Carrier type for textile yarns	AFZP 224	AFZP 224	AFZP 224	AFZP 224	AFZP 224	AFZP 224
Bobbin size in mm	124 x 380	124 x 380	124 x 380	124 x 380	124 x 380	124 x 380
Bobbin volume in ccm	4223	4223	4223	4223	4223	4223
Multi-roller take-off	<input type="radio"/>	<input type="radio"/>	<input type="radio"/>	<input type="radio"/>	<input type="radio"/>	<input type="radio"/>
Caterpillar take-off	<input type="radio"/>	<input type="radio"/>	<input type="radio"/>	<input type="radio"/>	<input type="radio"/>	<input type="radio"/>
Inlet for cable/core	<input checked="" type="radio"/>	<input checked="" type="radio"/>	<input checked="" type="radio"/>	<input checked="" type="radio"/>	<input checked="" type="radio"/>	<input checked="" type="radio"/>
Mechanical lay length control	<input type="radio"/>	<input type="radio"/>	<input type="radio"/>	<input type="radio"/>	<input type="radio"/>	<input type="radio"/>
Electronic lay length control	<input type="radio"/>	<input type="radio"/>	<input type="radio"/>	<input type="radio"/>	<input type="radio"/>	<input type="radio"/>
Take-up onto drums	separate	separate	separate	separate	separate	separate
- with UHING device	<input checked="" type="radio"/>	<input checked="" type="radio"/>	<input checked="" type="radio"/>	<input checked="" type="radio"/>	<input checked="" type="radio"/>	<input checked="" type="radio"/>
Braiding die	<input checked="" type="radio"/>	<input checked="" type="radio"/>	<input checked="" type="radio"/>	<input checked="" type="radio"/>	<input checked="" type="radio"/>	<input checked="" type="radio"/>
Electrical height adjustment of the braiding die	<input type="radio"/>	<input type="radio"/>	<input type="radio"/>	<input type="radio"/>	<input type="radio"/>	<input type="radio"/>
Wire-break control	<input checked="" type="radio"/>	<input checked="" type="radio"/>	<input checked="" type="radio"/>	<input checked="" type="radio"/>	<input checked="" type="radio"/>	<input checked="" type="radio"/>
Metercounter/timer meter	<input type="radio"/>	<input type="radio"/>	<input type="radio"/>	<input type="radio"/>	<input type="radio"/>	<input type="radio"/>
Carrier protection	<input checked="" type="radio"/>	<input checked="" type="radio"/>	<input checked="" type="radio"/>	<input checked="" type="radio"/>	<input checked="" type="radio"/>	<input checked="" type="radio"/>
Noise protection housing	<input type="radio"/>	<input type="radio"/>	<input type="radio"/>	<input type="radio"/>	<input type="radio"/>	<input type="radio"/>
Central lubrication	<input type="radio"/>	<input type="radio"/>	<input type="radio"/>	<input type="radio"/>	<input type="radio"/>	<input type="radio"/>
Infinitely variable speed control	<input type="radio"/>	<input type="radio"/>	<input type="radio"/>	<input type="radio"/>	<input type="radio"/>	<input type="radio"/>
Rolling unit	<input type="radio"/>	<input type="radio"/>	<input type="radio"/>	<input type="radio"/>	<input type="radio"/>	<input type="radio"/>

● Standard ○ Option Subject to technical changes due to further development.

Also available with 64, 72 or 96 carriers.