



HERZOG[®]
Braiding machines

CLEVER SOLUTIONS SINCE 1861

ROUND BRAIDING MACHINES NG 140 SERIES

recommended for braid diameters from 2 – 12 mm



- ▶ reliable in continuous operation
- ▶ high output
- ▶ various carrier types for different materials
- ▶ longevity thanks to an oil-bath construction
- ▶ low noise level

August Herzog USA
109A Midsouth Drive
USA West End, NC 27376
Tel: +1 910 295 9763
Fax: +1 910 295 9764
e-mail: herzogusa@ac.net

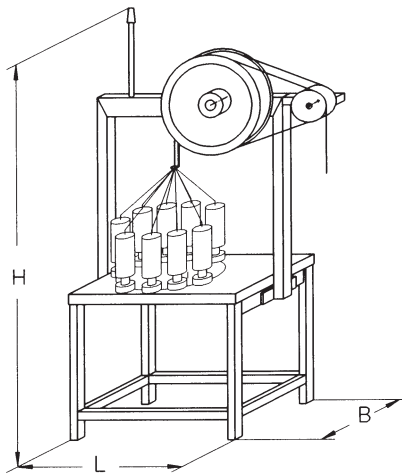
August Herzog Maschinenfabrik GmbH & Co. KG
Postfach 20 01 52 · D-26045 Oldenburg
Am Alexanderhaus 160 · D-26127 Oldenburg
Telefon: +49 441/30 08-0 · Telefax: +49 441/30 08-100
<http://www.herzog-online.com>
e-mail: info@herzog-online.com

► TECHNICAL DATA



HERZOG[®]
Braiding machines

CLEVER SOLUTIONS SINCE 1861



► Machine type	NG 1/8-140	NG 1/12-140	NG 1/16-140	NG 1/24-140
Number of heads	1	1	1	1
Carriers per head *	8	12	16	24
Pitch size in mm	140	140	140	140
Length in mm (L)	730	900	960	1050
Width in mm (B)	590	620	690	850
Height in mm (H)	1850	1800	1910	1900
Weight in kgs	220	250	300	400
Motor power in kw	0,37	0,55	0,55	0,75
Speed (horngear rpm)	220	235	235	235
Speed (horngear rpm) for half occupation	–	160	160	160
Central tube in mm	8	16	50	200
Carrier type	AFD 140	AFD 140	AFD 140	AFD 140
Carrier type for half occupation	–	AFZ 180	AFZ 180	AFZ 180
Bobbin size in mm	78 x 280	78 x 280	78 x 280	78 x 280
Bobbin size for half occupation	–	100 x 300	100 x 300	100 x 300
Bobbin volume in ccm	1211	1211	1211	1211
Bobbin volume for half occupation	–	2208	2208	2208
Take-off disc, diameter in mm	160	160	160	160

► Options				
Take-off for take-off into can	<input type="radio"/>	<input type="radio"/>	<input type="radio"/>	<input type="radio"/>
Guiding tubes / bored horn gear pillars	<input type="radio"/>	<input type="radio"/>	<input type="radio"/>	<input type="radio"/>
Core- and warp-thread control	<input type="radio"/>	<input type="radio"/>	<input type="radio"/>	<input type="radio"/>
Empty bobbin control	<input type="radio"/>	<input type="radio"/>	<input type="radio"/>	<input type="radio"/>
Mechanical lay length control	<input type="radio"/>	<input type="radio"/>	<input type="radio"/>	<input type="radio"/>
Electronical lay length control	<input type="radio"/>	<input type="radio"/>	<input type="radio"/>	<input type="radio"/>
Patented braiding die with electronic braid point control, max. dia. in mm	12	12	12	12
Metercounter/time meter	<input type="radio"/>	<input type="radio"/>	<input type="radio"/>	<input type="radio"/>
Take-up onto drums	<input type="radio"/>	<input type="radio"/>	<input type="radio"/>	<input type="radio"/>
Drum size in mm	370 x 200	370 x 200	370 x 200	370 x 200
Open guides at the carrier	<input type="radio"/>	<input type="radio"/>	<input type="radio"/>	<input type="radio"/>
Carrier protection	<input type="radio"/>	<input type="radio"/>	<input type="radio"/>	<input type="radio"/>

● Standard ○ Option Subject to technical changes due to further development. * Other numbers of carriers available upon request.